



MERAJ

Self-Priming, Centrifugal Pumps (Non-Clog)
Chemical, Petroleum, Water & Fire Fighting

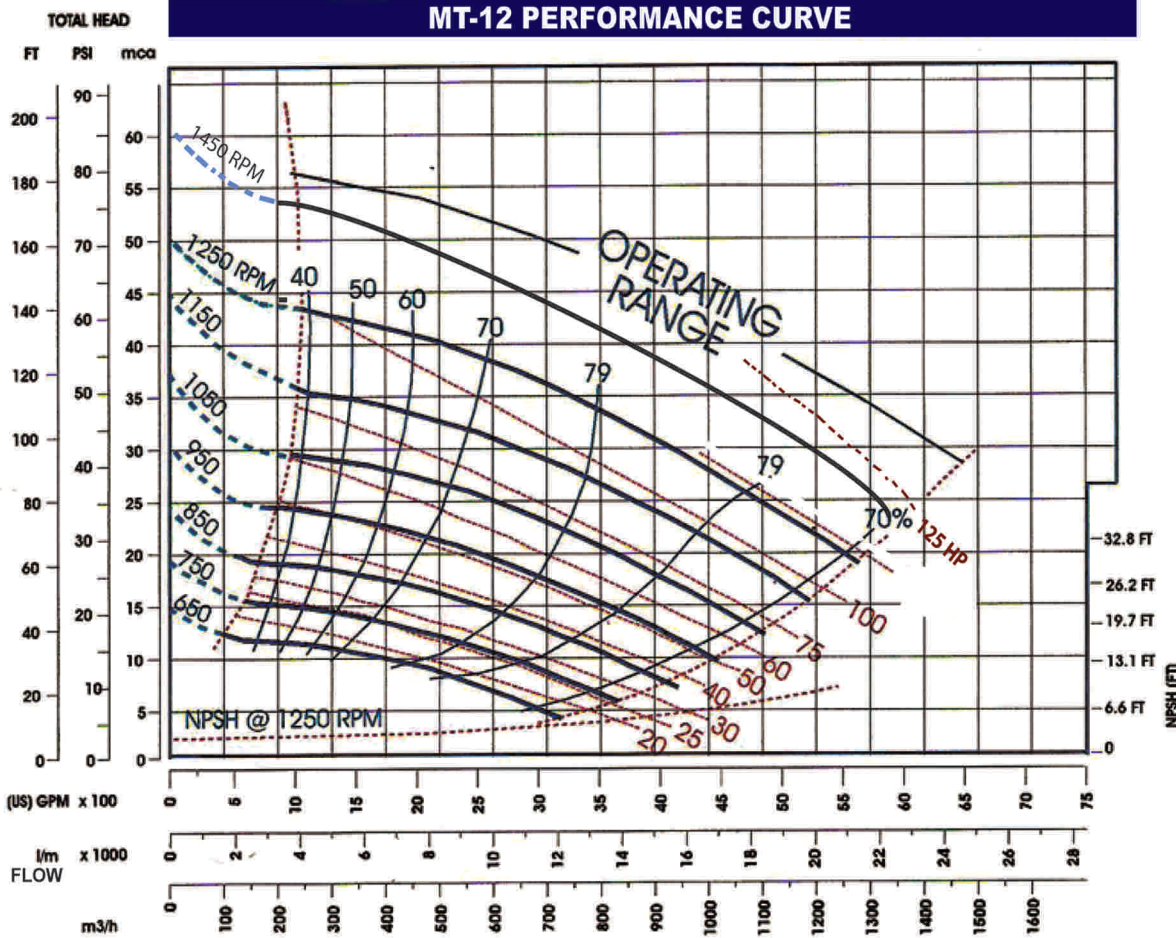
MODEL: MT- 12

Size: 12"x10"

Pump Size 12"x10"/305mmx250mm	
Net Weight	2200 lbs / 998 Kg
Shipping Weight	2350 lbs / 1066 Kg



Innovative Engineering



Suction: 12"
Discharge: 10"
Impeller Diameter: 18"
Max. Solid Sphere: 3"
BEP: 79% @ 4500 US gpm

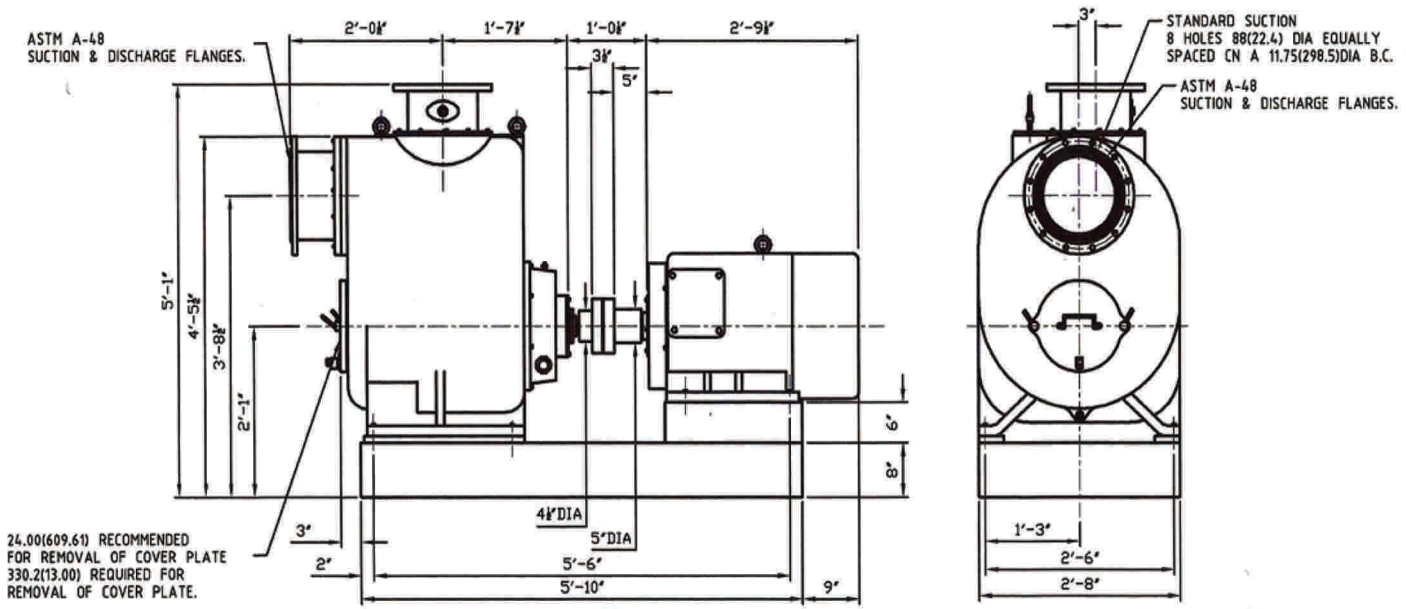
Determine NPSHR prior to using repriming table. Do not use available suction lifts.

Clear Water Performance

$$BHP = \frac{GPM \times Ft}{3960 \times Efficiency}$$

$$KW = \frac{M^3 / HR \times M}{367 \times Efficiency}$$

N.B.:
This curve is provided for preliminary selection only. Please consult the factory before making final pump or motor / engine selection.



MERAJ LIMITED

PEC Licence No. 103

Category: C-B

Head Office: Plot # 11, Sector 15, Korangi Industrial Area, Karachi-74900, Pakistan.
Tel.: 9221-35050145 - 6 Fax: 9221-35060663 E-mail: merajltd@cyber.net.pk Web: www.meraj.net.pk

Middle East & Africa Sales and Services Center: P.O.Box 50227, Hamriyah Free Zone, Sharjah, U.A.E.

E-mail: meraj.limited@gmail.com Sharjah Office: +917502524210 Fax: +97165262130

BRANCH OFFICES: Rawalpindi Lahore Peshawar Multan
0302-8256060, 0300-8462656, 0333-9103300, 0313-7366877,

FOR APPLICATIONS' DETAILS, REFER TO MAIN BROCHURE