



MERAJ

Self-Priming, Centrifugal Pumps (Non-Clog)
Chemical, Petroleum, Water & Fire Fighting

MODEL: MT - 2

Size: 2"x2"

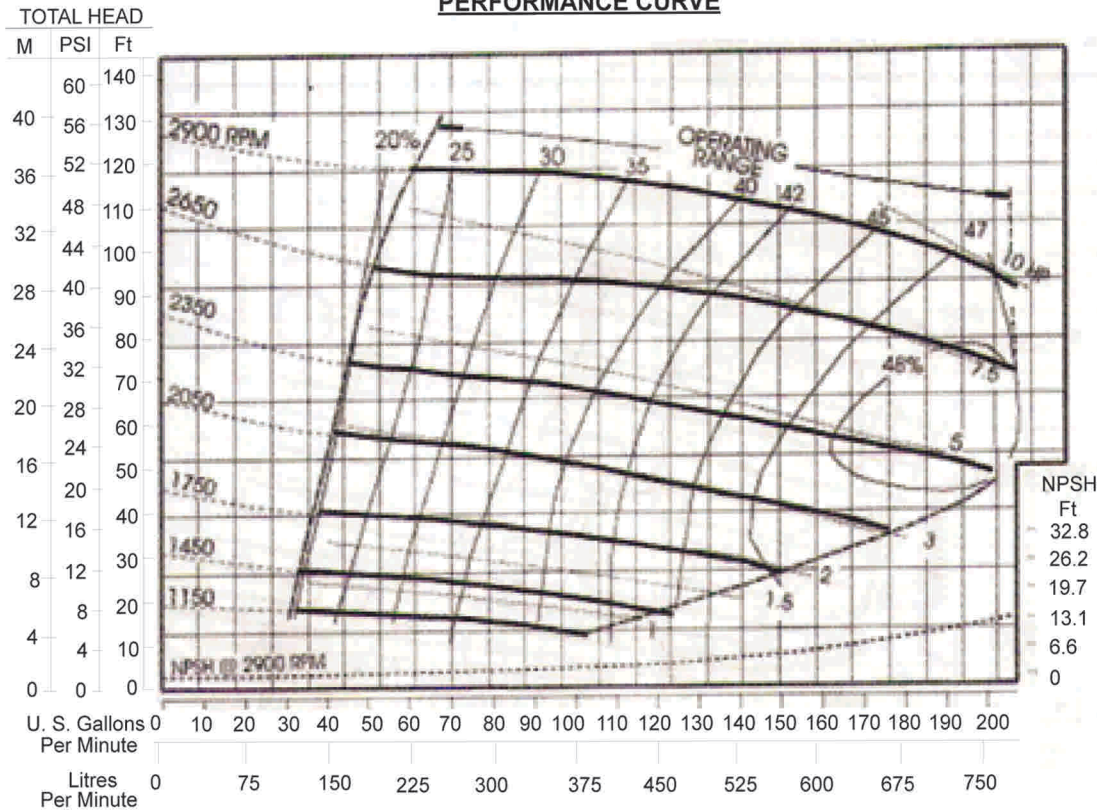


Innovative Engineering

Pump Size 2"x2" / 50 mmx50 mm

Net Weight 203 lbs / 92 Kg

PERFORMANCE CURVE



Suction: 2"
Discharge: 2"
Impeller Diameter: 6.25"
Max. Solid Sphere: 1.75"

Clear Water Performance

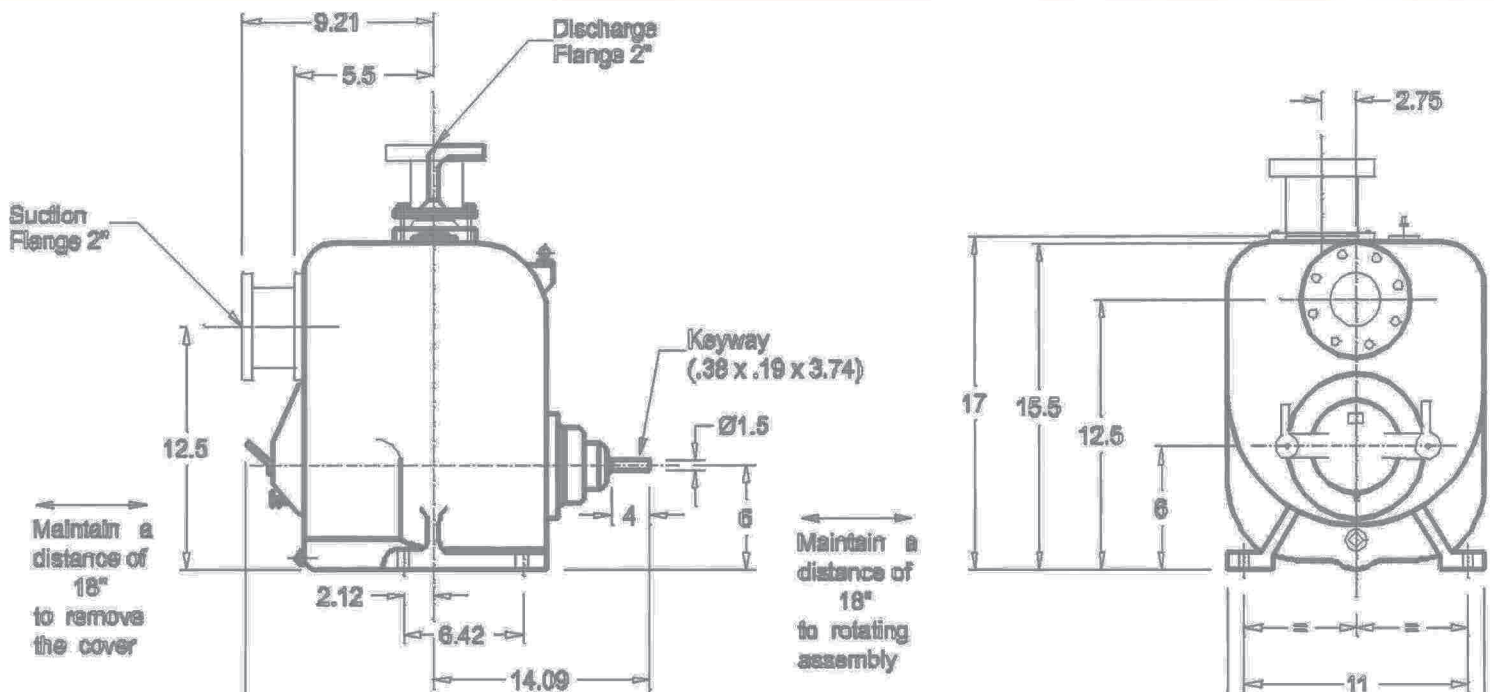
$$\text{BHP} = \frac{\text{GPM} \times \text{Ft} \times \text{SG}}{3960 \times \text{Efficiency}}$$

$$\text{KW} = \frac{\text{M}^3 / \text{HR} \times \text{M} \times \text{SG}}{367 \times \text{Efficiency}}$$

N.B.:

This curve is provided for preliminary selection only. Please consult the factory before making final pump or motor / engine selection.

EXTERNAL DIMENSIONS



MERAJ LIMITED

PEC Licence No. 103

Category: C-B

Head Office: Plot # 11, Sector 15, Korangi Industrial Area, Karachi-74900, Pakistan.
Tel.: 9221-35050145 - 6 Fax: 9221-35060663 E-mail: merajltd@cyber.net.pk Web: www.meraj.net.pk

Middle East & Africa Sales and Services Center: P.O.Box 50227, Hamriyah Free Zone, Sharjah, U.A.E.

E-mail: meraj.limited@gmail.com Sharjah Office: +917502524210 Fax: +97165262130

BRANCH OFFICES: Rawalpindi Lahore Peshawar Multan
0302-8256060, 0300-8462656, 0333-9103300, 0313-7366877,

FOR APPLICATIONS' DETAILS,
REFER TO MAIN BROCHURE